

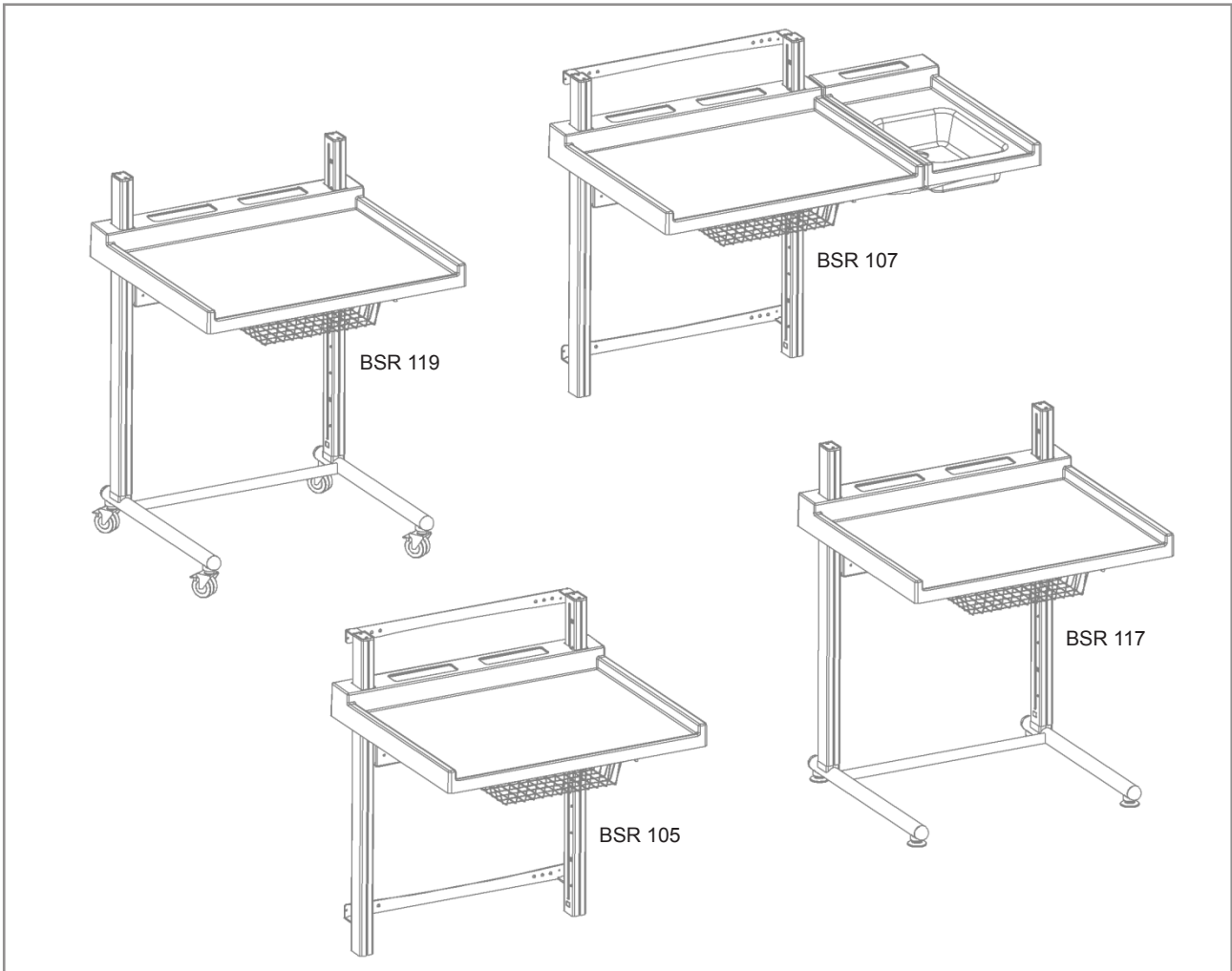
# **IMPORTANT !**

## **Information about the use of electrical height adjustable changing table**

- Never leave the child unattended on the changing table.
- The remote should be placed out of reach of small children. Switch off after use
- Be aware of other children in the room while in use
- Be aware of things placed underneath the changing table
- All CASTORS must be locked while in use
- Changing table only to be used by the staff
- Please read the complete manual and remember to instruct new staff about the use of the changing table



## Electric Height adjustable changing table ConSet® - Type BSR 105+107+117+119



## DIRECTIONS OF USE/ASSEMBLY

EN



### IMPORTANT INFORMATION!

Prior to installment, use and maintenance of the table frame, any installer and any user of the changing table must study this assembly and operation manual carefully, so as to gain a complete understanding of its contents.

## TABLE OF CONTENT

1. SAFETY AND WARNINGS
2. GUIDELINES REGARDING ASSEMBLY AND USAGE
3. SET UP AND INSTALLATION
4. OPERATION
5. MAINTENANCE AND DEFECTS
6. TECHNICAL DATA
7. ASSEMBLY DIRECTIONS, WALL TYPE BSR 105+107
8. ASSEMBLY DIRECTIONS, FLOOR TYPE, BSR 117+119
9. ASSEMBLY DIRECTIONS, WASH ON SIDE, BSR 107
10. SERVICE FAQ
11. DECLARATION OF CONFORMITY

### 1. SAFETY AND WARNINGS

Please read the operation manual prior to start using the table. It provides you with important information about safety, use, installation and maintenance of the table, and thus protecting you and your children and avoiding damage on the table.

Please guard this operation manual and pass it on to any future owner!

### 2. GUIDELINES REGARDING ASSEMBLY AND USAGE

#### Usage:

- The electrical height adjustable changing table is designed to be used in a dry atmosphere (0-40°C; 20-90% relative humidity)
- For kids 0-36 months
- The changing table height is infinitely adjustable, so that it can be set to the most ergonomically suitable working level of the staff in a day care center or public day care
- Not been designed for other purposes than those included in this manual, e.g. they are not to be used in areas of high humidity or dampness, nor for lifting people.
- Any other use is at one's own risk!

#### Safety routines:

- Never leave the child unattended on the changing table
- The remote should be placed out of reach of small children. Switch off after use.
- Be aware of other children in the room while in use. Do not crawl, lie or move around under the changing table.
- When placing the changing table, be aware of other furniture. It is important with safety distance between the changing table and other furniture to minimize risk of jamming (?) at all.
- When using the height setting, always pay special attention to whether new things have been placed in the room since the last time.
- The changing table is only to be used by the staff. The changing table is a work station, not a toy.
- The remote control must not be used if there are any signs of damage or wear and tear.
- If changing tables are mounted side by side a partition wall should be mounted to minimize risk of jamming.

#### Liability:

The manufacturer accepts under no circumstances warranty claims or liability claims for damages arising from improper use or handling of the table frame other than that described in this operation manual.

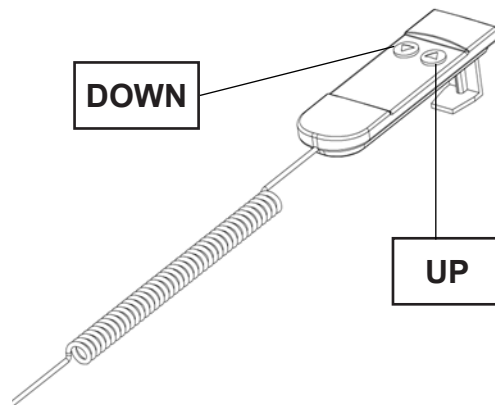
### 3. SET UP AND INSTALLATION

The changing table must be mounted by a skilled fitter or craftsman. All directions of this manual must be followed carefully.

Upon assembly, the fitter must place page 1 of this manual nearby the changing table.

### 4. OPERATION

Push the buttons to adjust the height. When the button is no longer pushed, the changing table will stop.



### 5. MAINTENANCE AND DEFECTS

- The table is only to be maintained with a wrung cloth. The changing table can under no circumstances be hosed down.

In the event of the occurrence of jarring sounds during operation, STOP using the table and please contact your dealer.

### 6. TECHNICAL DATA

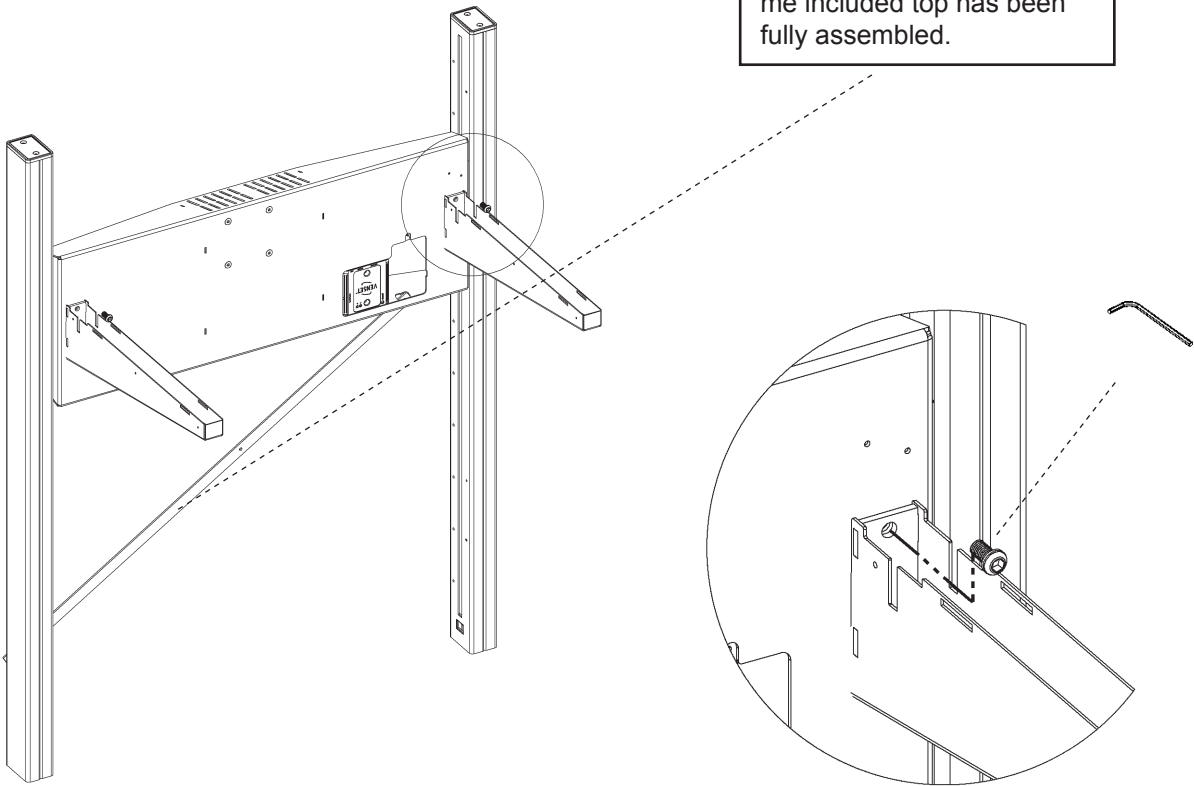
<b>Frame, materials:</b>	Steel, powder coatet.
<b>F<sub>MAX</sub></b> = Max. load on changing table:	50 kg
<b>Operation:</b>	up/downpush button
<b>Voltage:</b>	100-240 VAC / 50-60Hz
<b>Consumption:</b>	80 Watt
<b>Standby consumption:</b>	< 1 watt

## 7. ASSEMBLY INSTRUCTION - TYPE BSR 105+107

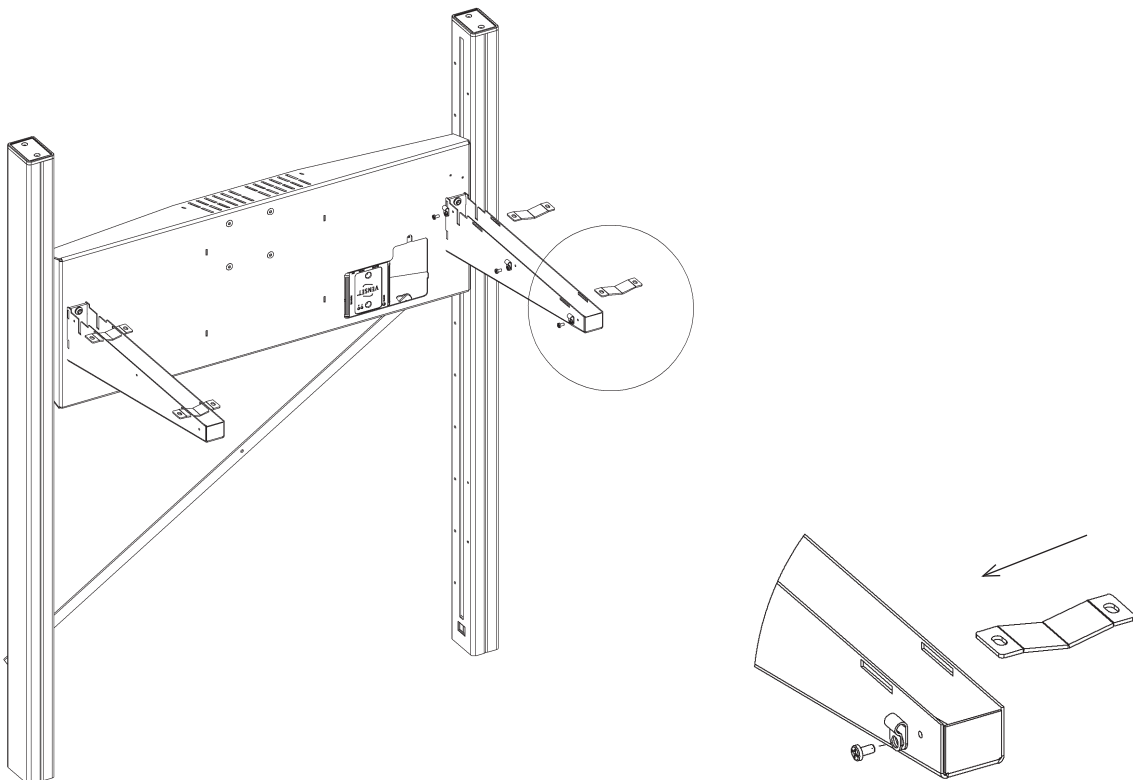
### Mounting the top brackets:

a) Mount the top brackets.

Cross bar is not allowed to be removed before the frame included top has been fully assembled.

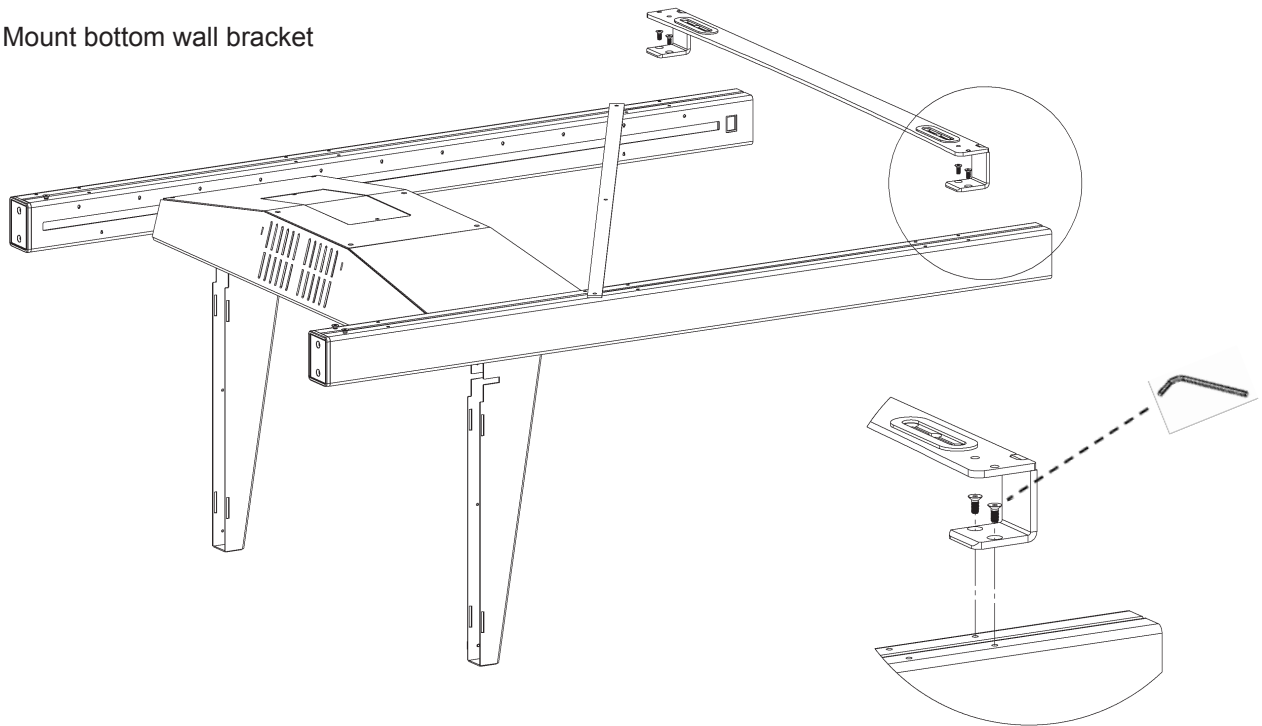


b) Mount four fixing brackets for top and attach three lead holders with screws.



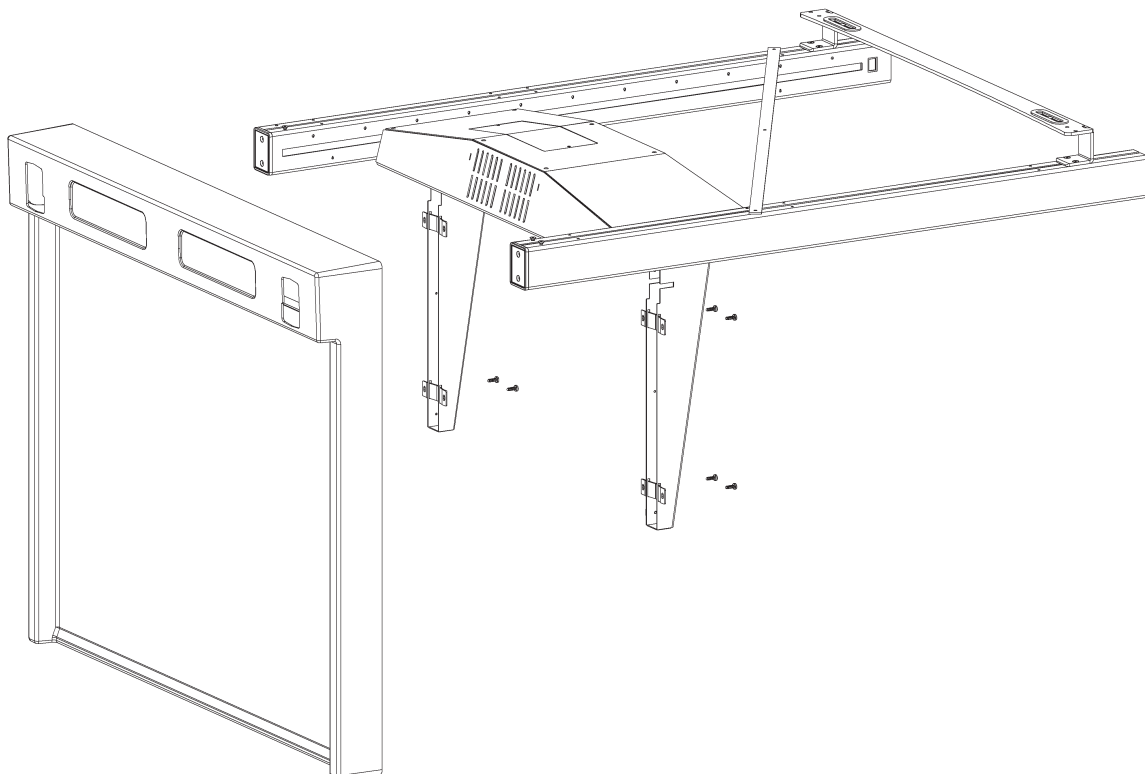
## Mounting of wall bracket, top etc.

### c) Mount bottom wall bracket

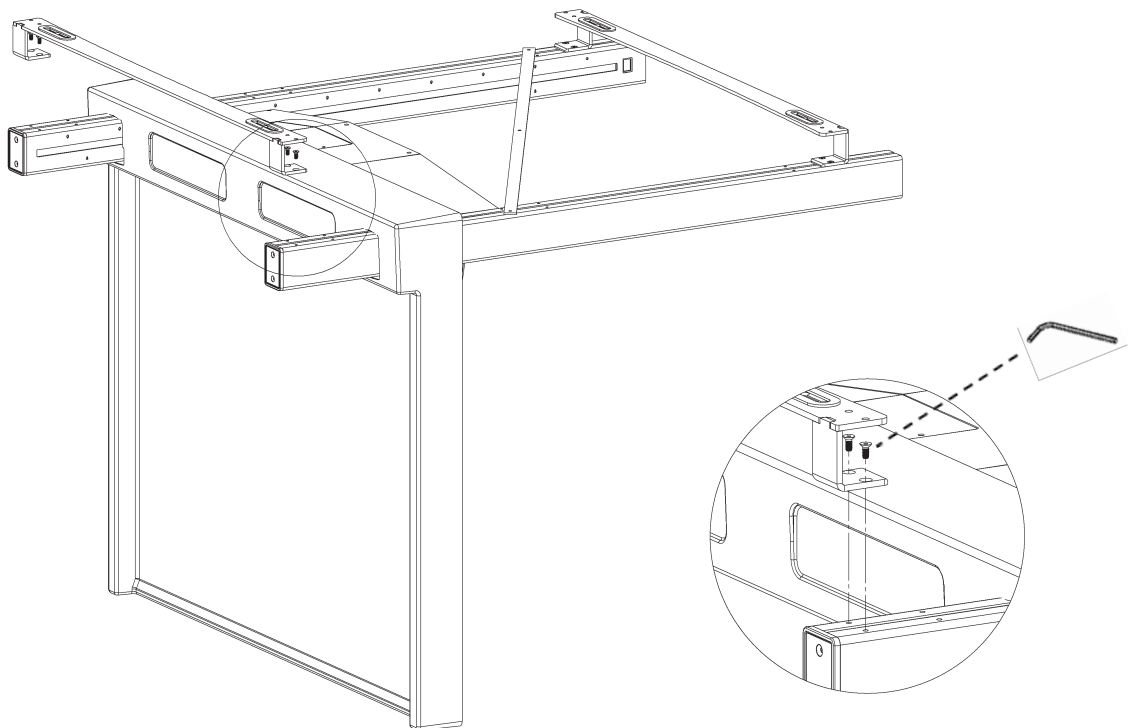


### d) Mount top in pre drilled holes

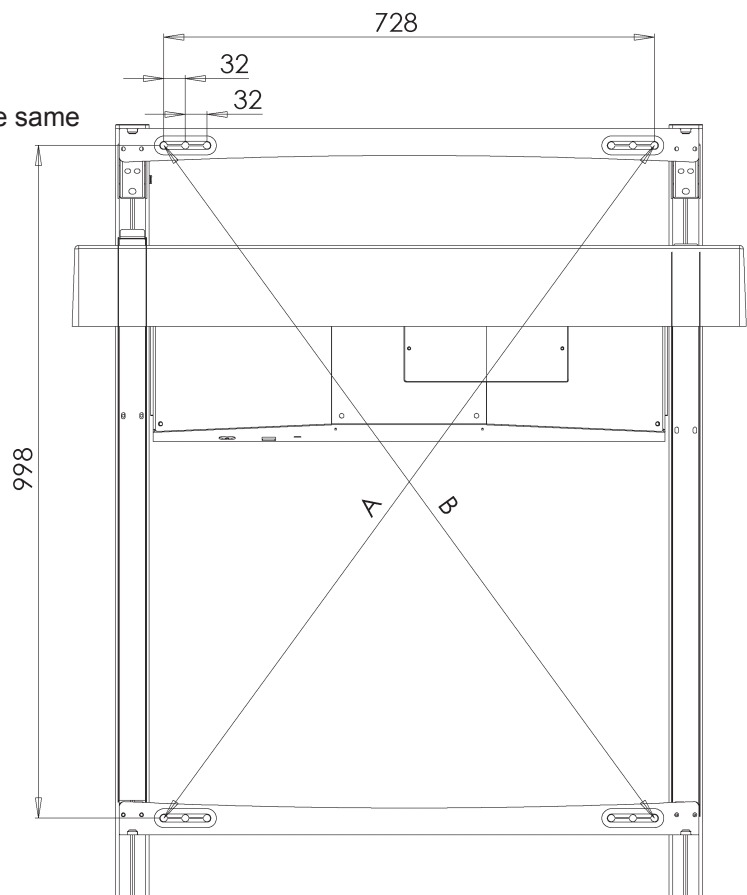
- place the top so the square holes in the top is symmetric placed around the columns
- tighten the screws



**e) Mount top wall bracket**



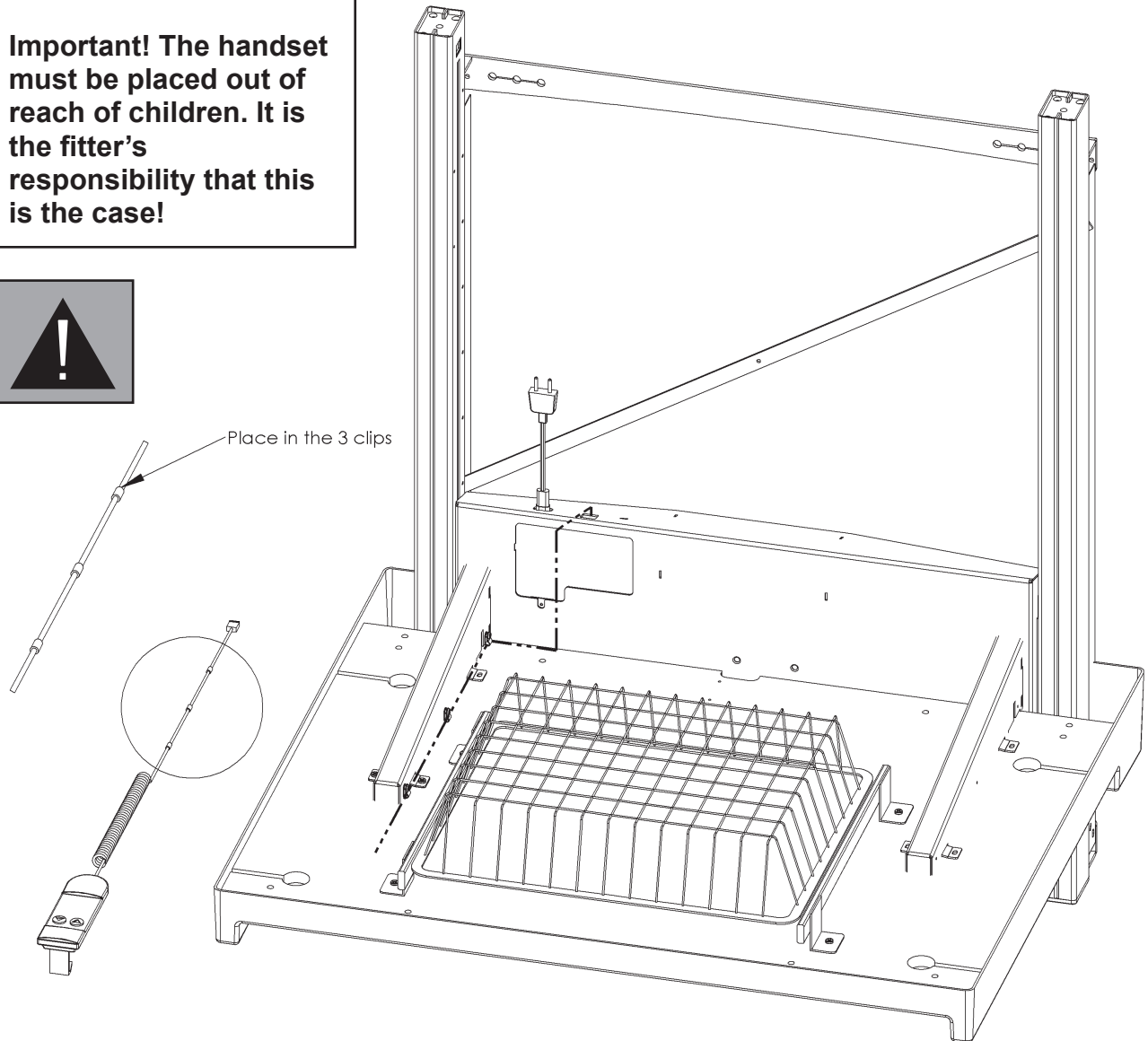
- f) Place the unit by the wall**
- g) Mark for drilling (if necessary)**
- h) Remove the unit again**
- i) Ensure that A and B-measurements are the same**
- j) Drill holes (if necessary)**
- k) Mount the unit on the wall**



## Mounting the handset:

The plug from the handset and the AC cord must be inserted into the sockets and the wire from the handset attaches to the top (as shown on dotted line).

**Important! The handset must be placed out of reach of children. It is the fitter's responsibility that this is the case!**



Remove the Cross bar and the changing table is now ready for use.

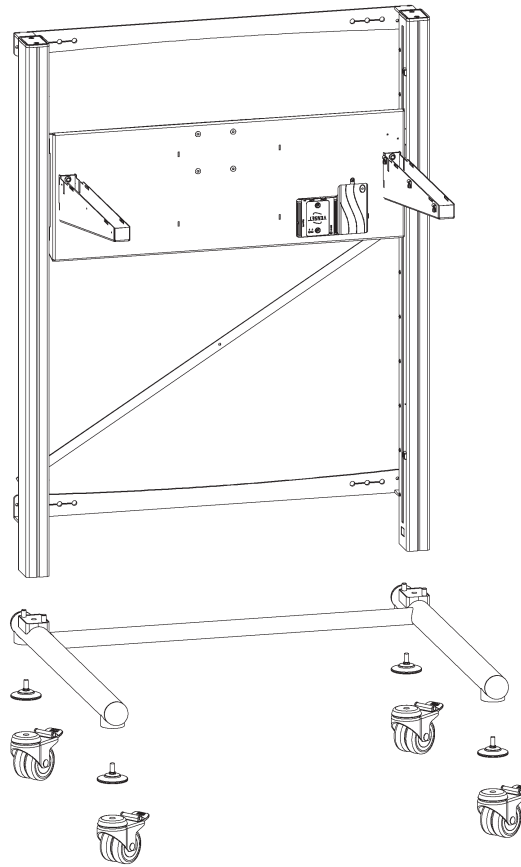
**The fitter must instruct the staff in proper use and the instructions of this manual.**



## 8. ASSEMBLY INSTRUCTIONS FLOOR-type, BSR 117+119

a) Mount top brackets ref.page 5, mounting a) + b)

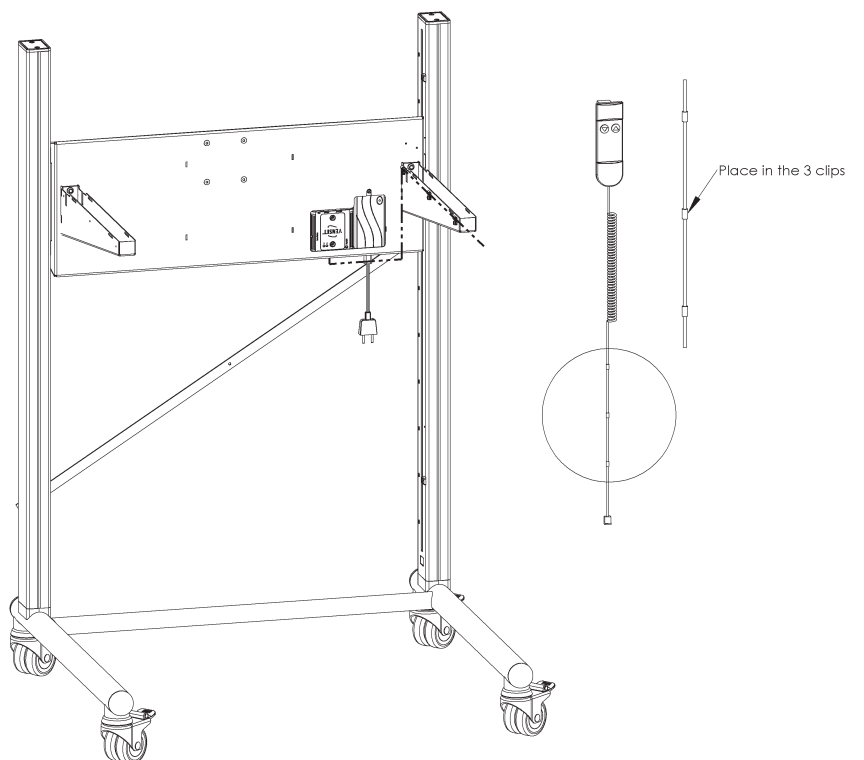
b) Mount either levelers or wheels



c) Mount handset

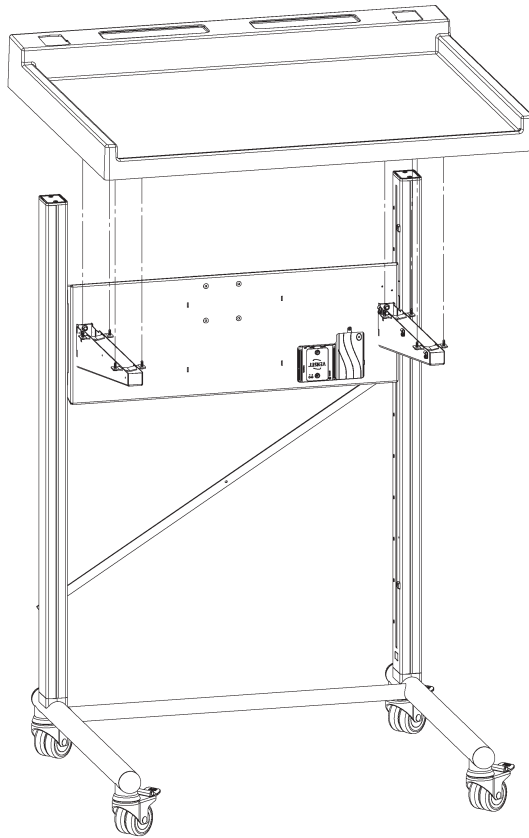
The plug from the handset and the AC cord must be inserted into the sockets and the wire from the handset attaches to the top (as shown on dotted line).

**Important! The handset must be placed out of reach of children. It is the fitter's responsibility that this is the case!**

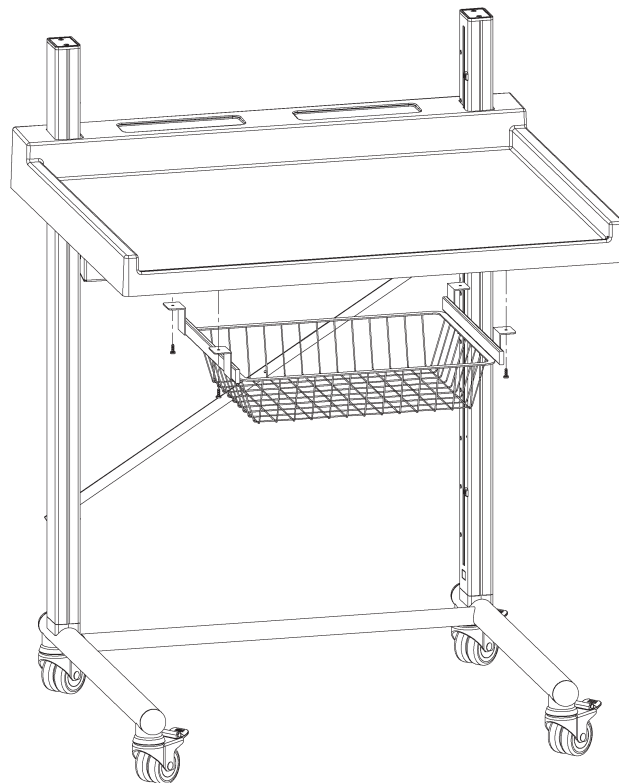


**d) Mount top in pre drilled holes**

- place the top so the square holes in the top is symmetric placed around the columns
- tighten the screws



**e) Mount wire basket**

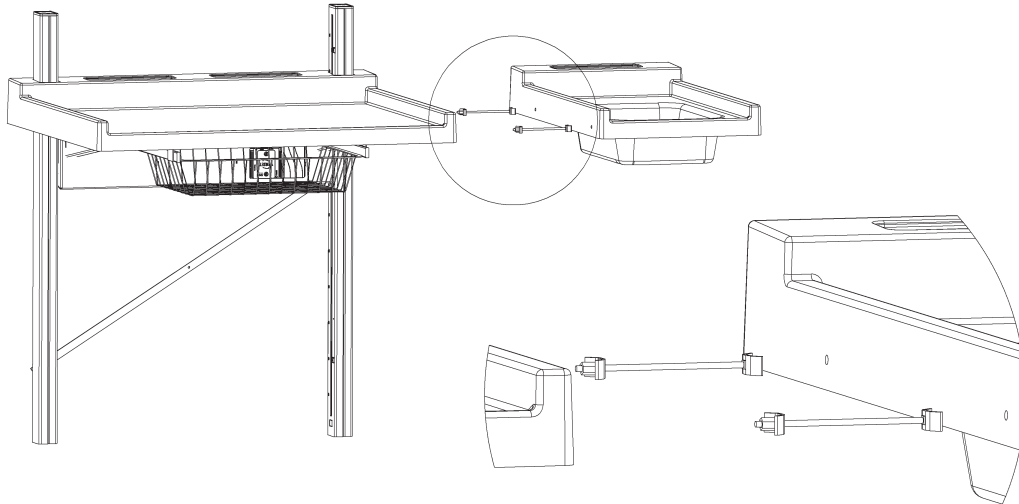


Remove the Cross bar and the changing table is now ready for use.

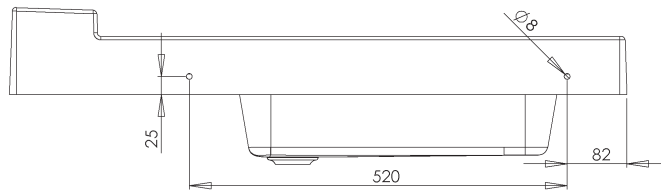
**The fitter must instruct the staff in proper use and the instructions of this manual.**

## 9. ASSEMBLY INSTRUCTIONS side sink, BSR 107

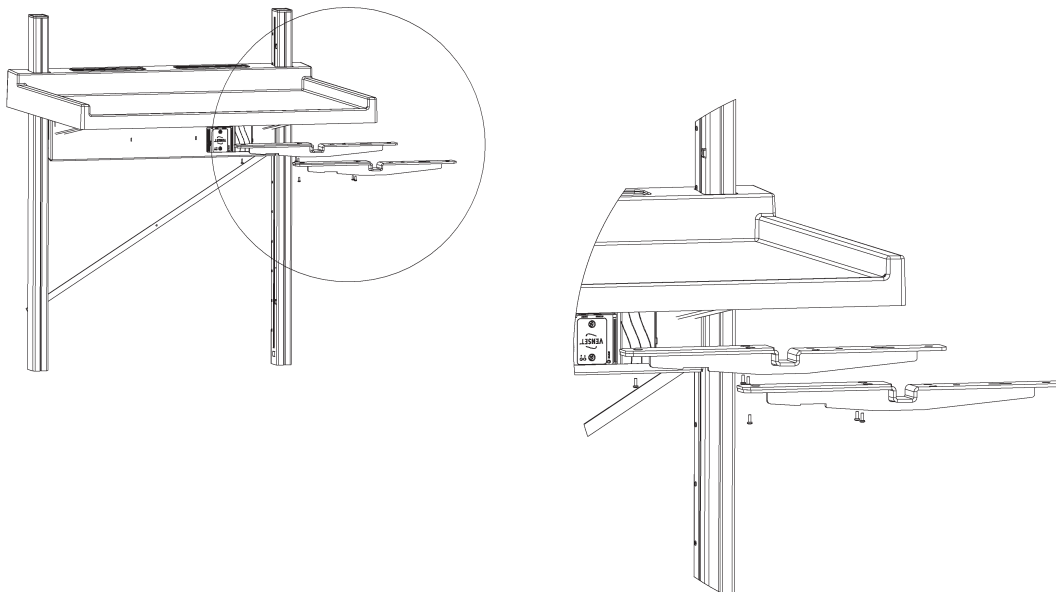
a) The side sink can be mounted in either the right or left side of the top.



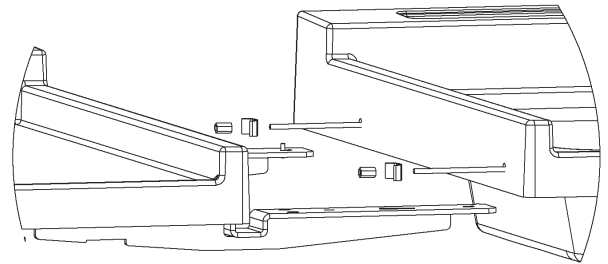
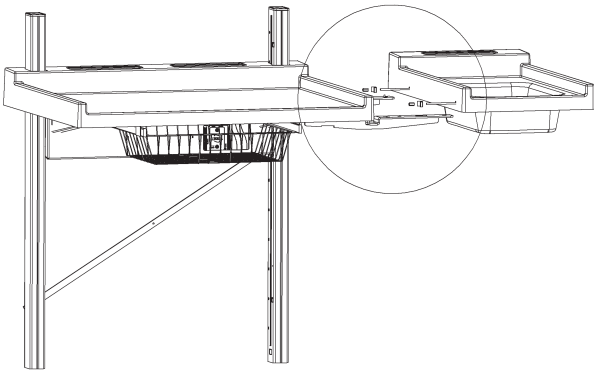
b) Make two  $\varnothing 8$  mm holes in both top and sink as shown in drawing. Holes to be used with the fixing bolts.



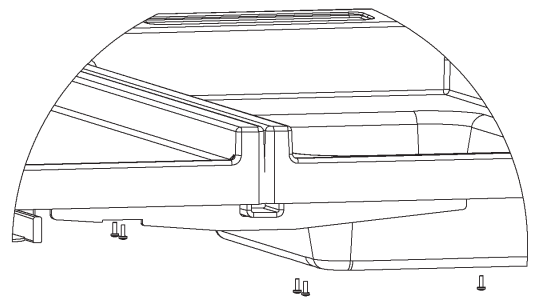
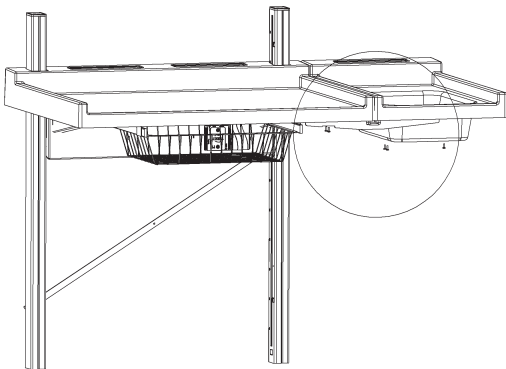
c) Mount two support brackets to the main top



d) Mount the two fixing bolts between the tops



e) Finish by mounting two support brackets on the side sink



The crack between the two tops can be sealed with sealant. Be sure to clean the surface with a gentle household cleanser prior to sealing. Tops are made of ABS.

**All plumbing must be carried out by a qualified plumber.**

## 10. SERVICE FAQ

- If the table not will move when activating the up/down buttons do the following;
  - o Check that the diode lightning in both power supply and control box are lightning
  - o If not then check that plugs for both AC cord and handset are correct fitted
  - o If the diode lightning still not are lightning then contact your dealer for additional support
  
- o If the diode lightning is on, but where the diode light in the control box is flashing then disconnect the 220V for 1 minute and connect again
- o If the diode lightning in the control box still are flashing then contact our dealer for additional support

## 11. DECLARATION OF CONFORMITY

We hereby declare, under our sole responsibility that the following products:

- ConSet changing table type BSR is in accordance with:
- Directive 2006/42/EF of The European Parliament and of the Council of 17 May 2006 on machinery and on changes of directive 95/16/EF

With reference to the above please be aware that:

- the changing table is considered a machine and
- the changing table may not be used until it has been assembled and installed according to the instructions.

### **Manufacturer:**

ConSet A/S  
Industrivej 23  
DK-6900 Skjern  
Danmark  
Tel: +45 9680 0080, Fax: +45 9680 0081  
www.conset.com  
conset@conset.com